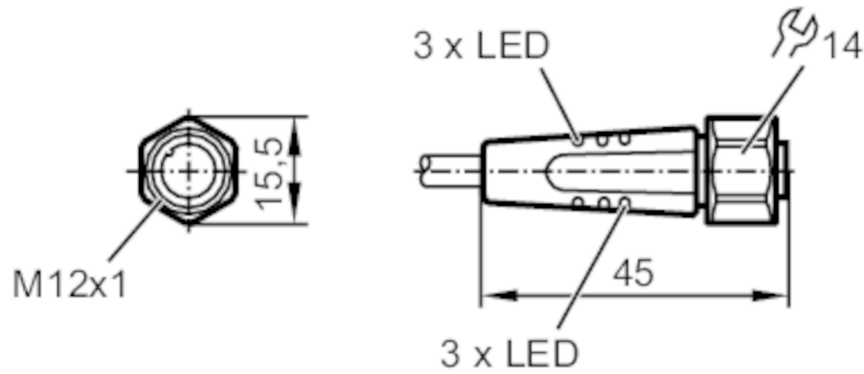


EVF464



Connecting cable with socket

ADOGH046VAS0025P04



Application	
Special feature	Free from silicone; Halogen-free; Gold-plated contacts; Drag chain suitability
Application	hygienic and wet areas in the food industry
Free from silicone	yes
Electrical data	
Operating voltage [V]	10...36 DC
Protection class	II
Max. current load total [A]	4
Outputs	
Electrical design	PNP
Operating conditions	
Ambient temperature [°C]	-25...100
Ambient temperature (moving) [°C]	5...100
Protection	IP 65; IP 67; IP 68; IP 69K
Mechanical data	
Weight [g]	770.3
Dimensions [mm]	15.5 x 15.5 x 45
Materials	housing: PP Halogen-free; Sealing: EPDM
Material nut	stainless steel (1.4404 / 316L)
Drag chain suitability	yes

EVF464



Connecting cable with socket

ADOGH046VAS0025P04

Drag chain suitability	bending radius for flexible use	min. 10 x cable diameter
	travel speed	max. 3.3 m/s for a horizontal travel length of 5 m and max. acceleration of 5 m/s ²
	bending cycles	> 1 Mio.
	torsional strain	± 180 °/m

Displays / operating elements

Display	switching status	4 x LED, yellow
	operation	2 x LED, green

Remarks

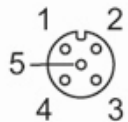
Pack quantity	1 pcs.
---------------	--------

Electrical connection

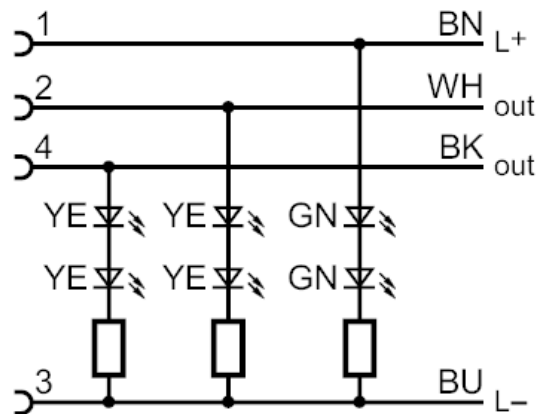
Cable: 25 m, MPPE, Halogen-free, orange, Ø 4.9 mm; 4 x 0.34 mm² (42 x Ø 0.1 mm)

Electrical connection - socket

Connector: 1 x M12, straight; coding: A; Locking: stainless steel (1.4404 / 316L); Contacts: gold-plated; Tightening torque: 0.6...1.5 Nm



Connection



Core colours

BK	black
BN	brown
BU	blue
WH	white